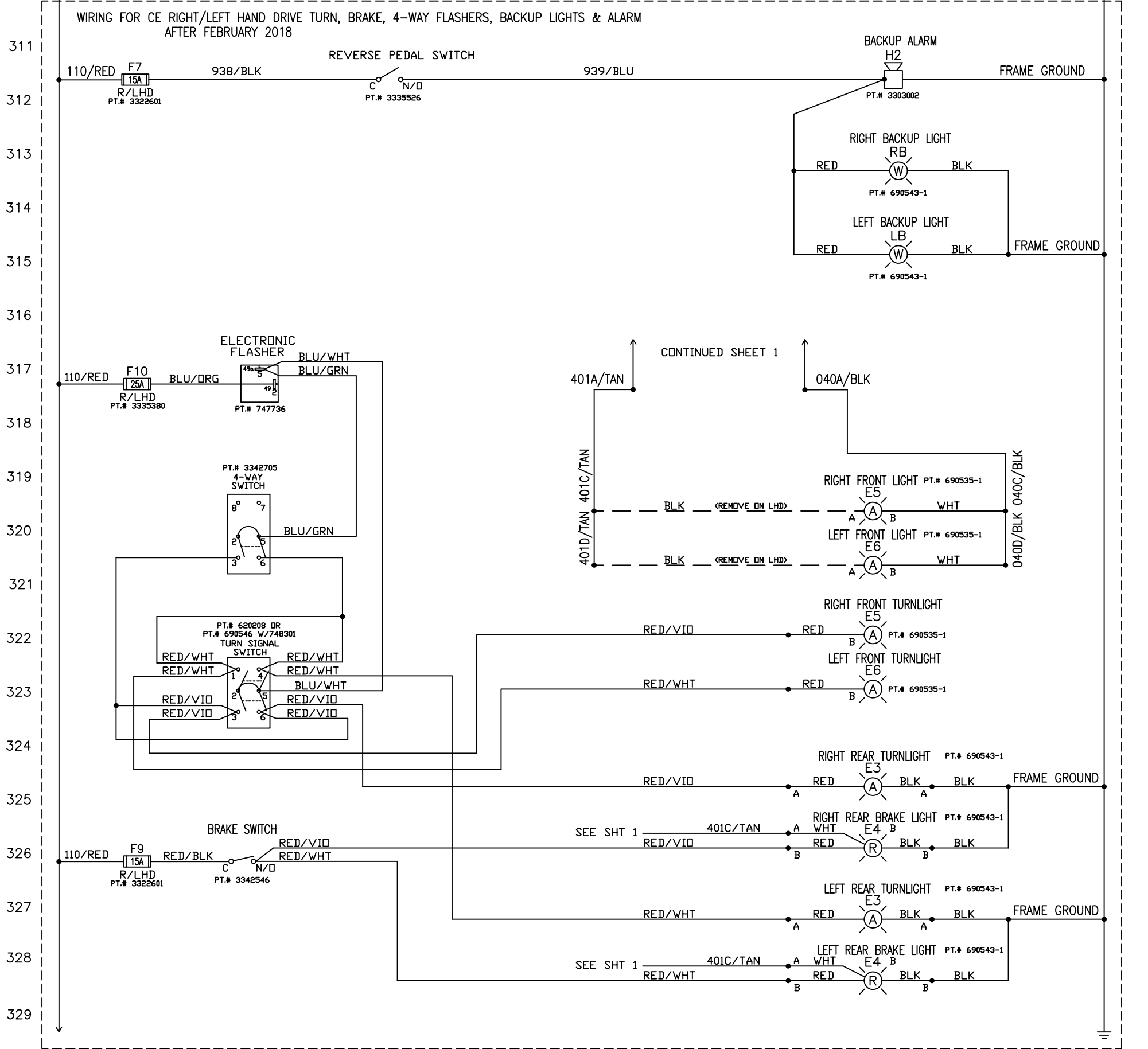


### AM9D/9X LED LIGHTING



REV	ECN	DATE	DESCRIPTION	BY	PowerBoss The Power of Clean		CONFIDENTIAL THIS DRAWING AND ALL INFORMATION CONTAINED HEREIN ARE THE EXCLUSIVE PROPERTY OF MINUTEMAN INTERNATIONAL, INC. THIS DRAWING IS NOT TO BE COPIED OR OTHERWISE REPRODUCED WITHOUT EXPRESSED WRITTEN PERMISSION OF MINUTEMAN INTERNATIONAL, INC. IN ADDITION, THIS DRAWING MUST BE RETURNED UPON REQUEST. FURTHER, ALL INFORMATION CONTAINED HEREIN MUST BE MAINTAINED CONFIDENTIAL.	TITLE	PART NUMBER	REVISION	PAGE NUMBER
D	150297	06/11/18	ADDED MERV, LED LIGHTS & SHT 4	KHH	14N845 U.S. ROUTE 20 PINGREE GROVE, ILLINOIS 60140			SCHEMATIC-ELECTRICAL	3397502	G	4 OF 4
E	150470	11/13/18	UPDATED MERV, PART #'S	KHH				9X GAS/LPG CE			
F	151016	11/08/19	REMOVE ENGINE CONN 1 PIN B WIRE	KHH							
G	151310	04/20/20	UPDATE SEAT SWITCH	KHH	ELECTRICAL DESIGN ENGINEER Jeff Pollack						
					CAD BY	JWP	DATE	5/3/10			